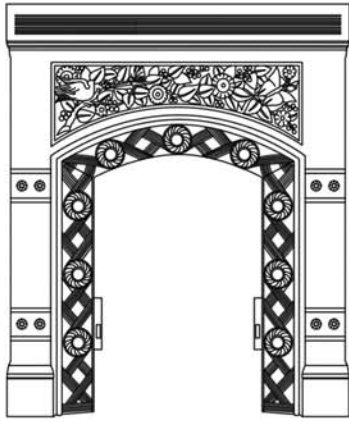


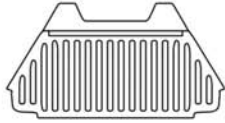


The Jekyll Combination

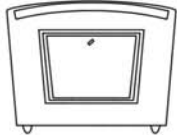
Contents



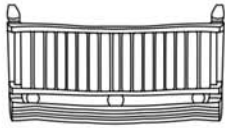
Fireplace Fascia



Grate



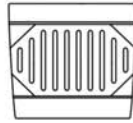
Damper Plate



Bars



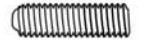
Shelf



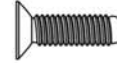
Fire Brick



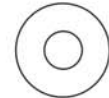
Ashpan Cover



4x M6 Grub



2x M8 Bolt



2x M8 Washer



1x M6 Bolt



Ashpan Handle



1x M4 Bolt



1x M4 Nut



1x M4 Washer



2x Fixing Studs



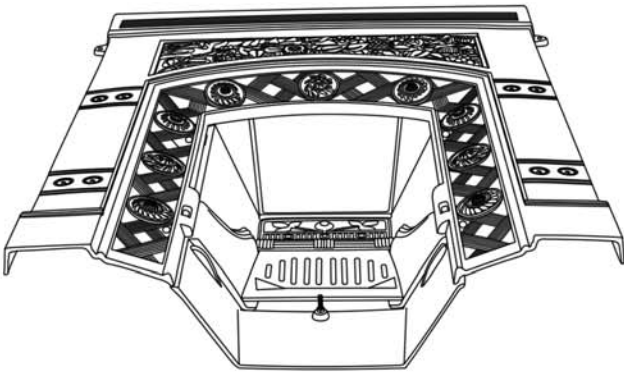
5x M6 Nut



5x M6 Washer

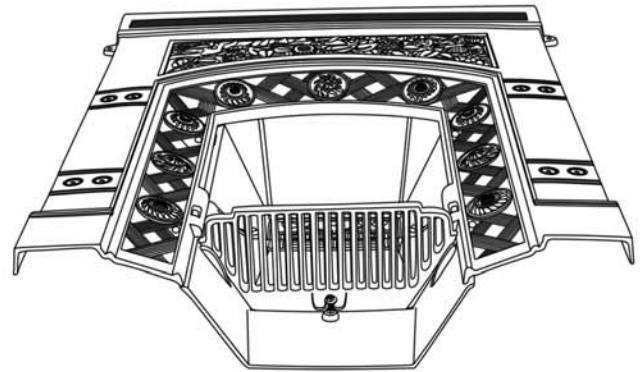
Please note, a flat head screwdriver and spanner are required to assemble this fireplace.

1



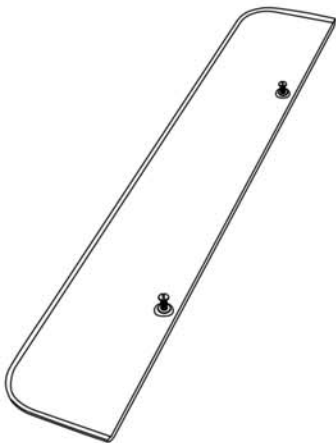
Lay Fireplace Fascia on back and insert the Firebrick and 1x M6 Grub.

2



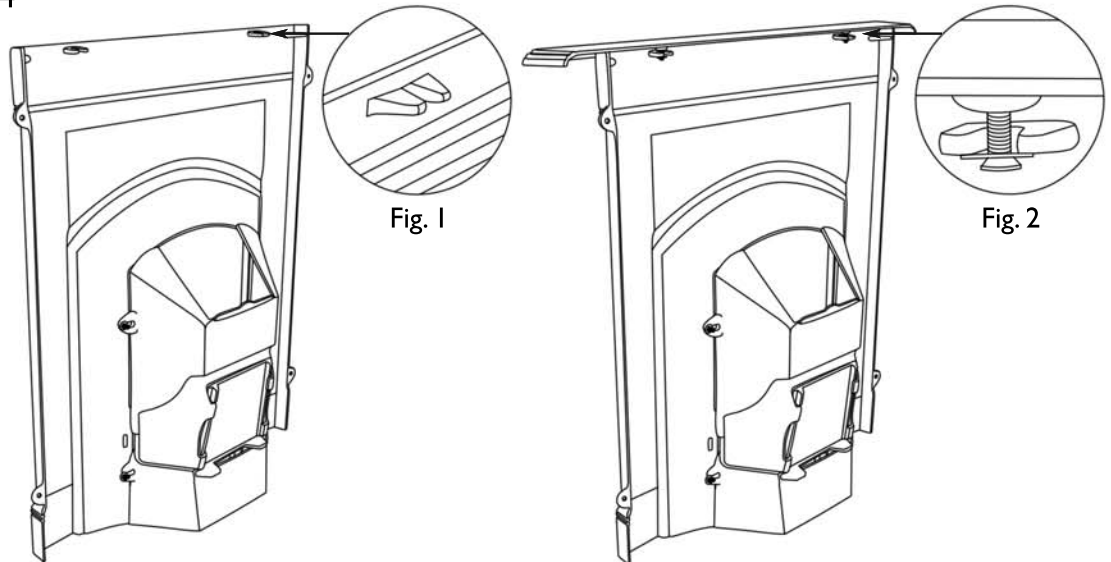
Insert Grate into the groves on the Fireplace Back, passing the fixing lug over the M6 Stud. Secure in place with 1 x M6 Washer and 1 x M6 Bolt.

3



Lay Shelf upside down on floor. Loosely insert 2 M8 bolts firstly passing through 2 M8 Washers.

4

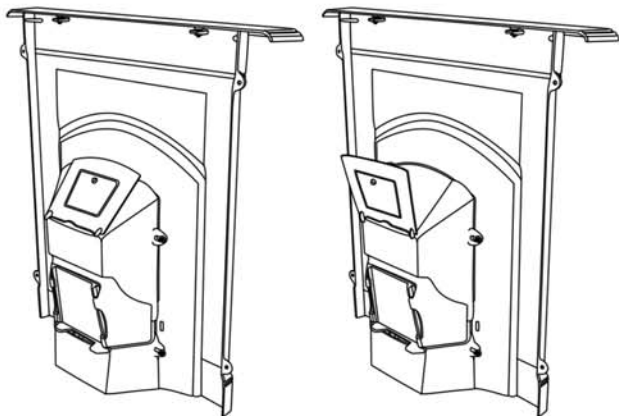


Attach shelf to Fireplace Fascia passing the 2x M8 Bolts through the fixing lugs (Fig. 1). The washers should be below the fixing lugs (Fig. 2). Tighten with a flat head screwdriver.



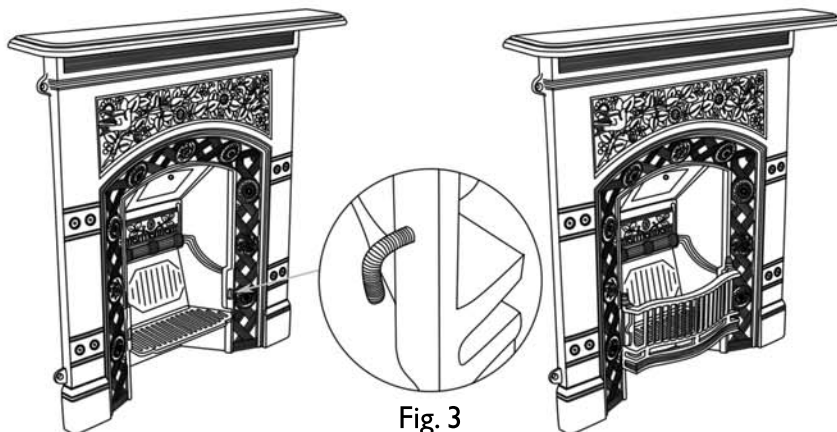
The Jekyll Combination

5



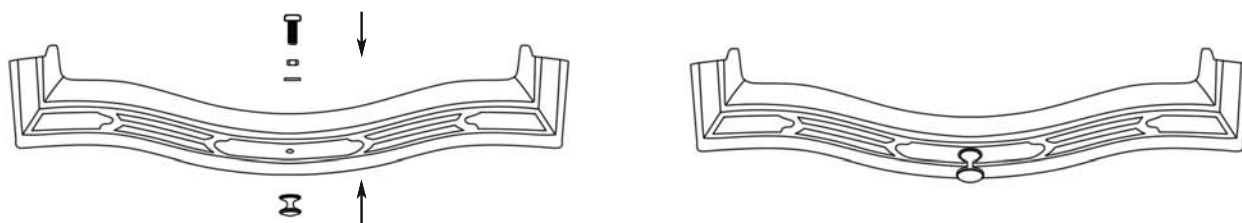
Rest the Damper Plate onto the groove on the back of the Fireplace Fascia.

6



Attach the 2x Fixing Studs to the back of the Bars as Fig. 3. Attach Bars to the Fireplace Fascia, passing 2x Fixing Studs through the groves.

7



Attach the Ashpan Handle to the Ashpan using 1x M4 Bolt, 1x M4 Washer and 1x M4 Nut.

8



To complete, place Ashpan Cover below Grate and Bars on the front of the Fireplace.