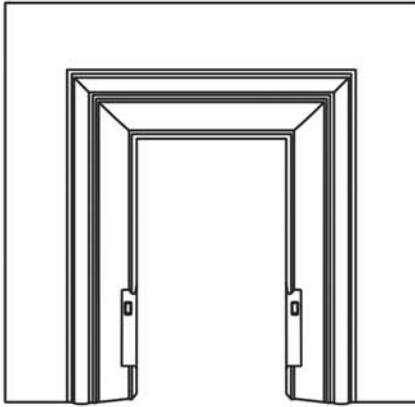


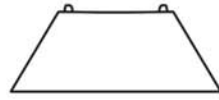


The Royal Narrow Insert

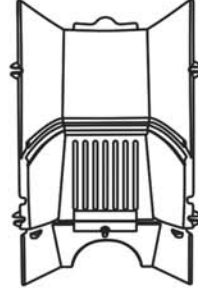
Contents



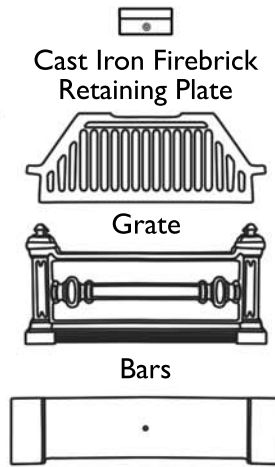
Fireplace Fascia



Damper Plate



Fireplace Back

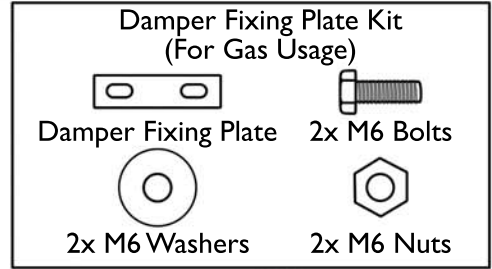


Cast Iron Firebrick Retaining Plate

Grate

Bars

Ashpan Cover



Damper Fixing Plate Kit (For Gas Usage)

Damper Fixing Plate

2x M6 Bolts

2x M6 Washers

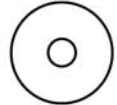
2x M6 Nuts



2x Fixing Studs



Ashpan Handle



5x M6 Washers



5x M6 Nuts



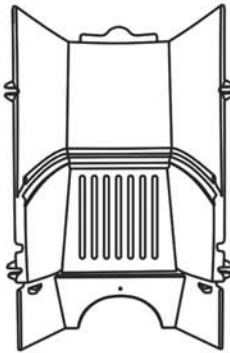
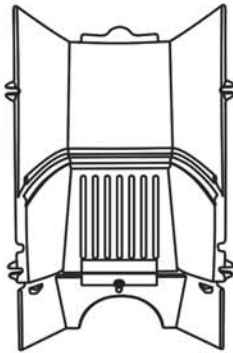
1x M6 Bolt



4x M6 Studs

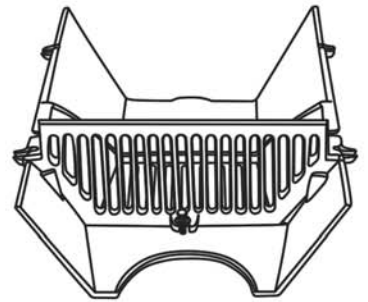
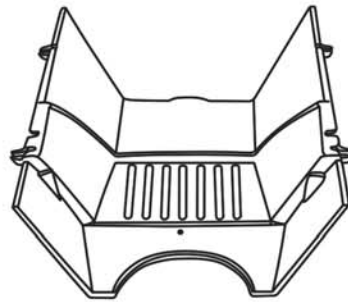
Please note, a 10mm spanner is required to assemble this fireplace.

1 GAS USAGE SOLID FUEL USAGE



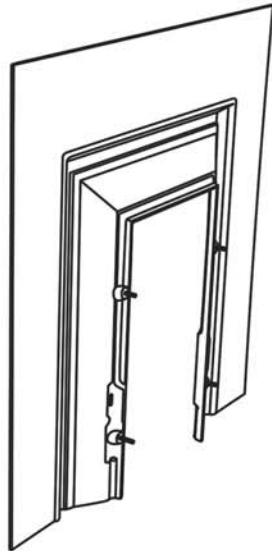
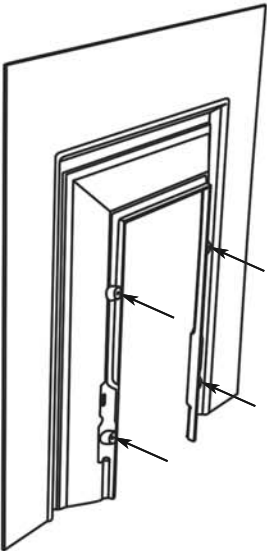
For Gas Usage: Do not remove Cast Iron Firebrick Retaining Plate. Go to Step 3 for Gas Usage.
 For Solid Fuel Usage: Remove Cast Iron Firebrick Retaining Plate from the front of the Fireplace Back by undoing bolt. The plate can then be discarded.

2 SOLID FUEL USAGE ONLY



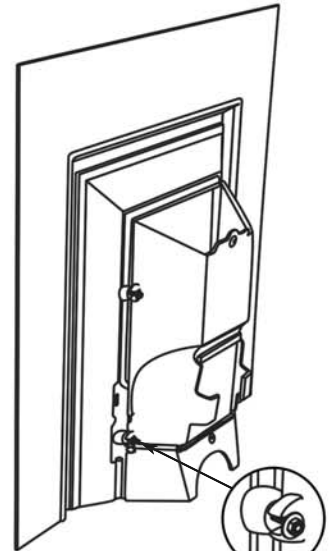
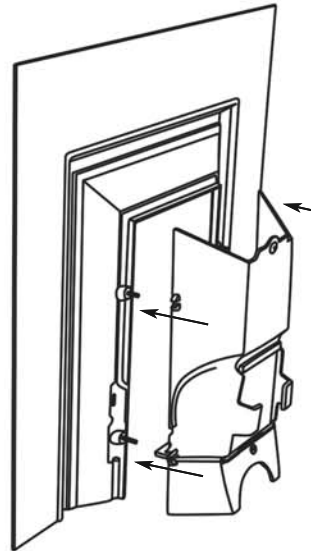
Insert Grate into the groves on the Fireplace Back. Secure and tighten with M6 Nut, M6 Bolt and M6 Washer.
THIS STEP IS NOT REQUIRED FOR GAS USAGE. NO GRATE IS REQUIRED FOR GAS USAGE.

3



Insert the 4 M6 Studs into the back of the Fireplace Fascia.

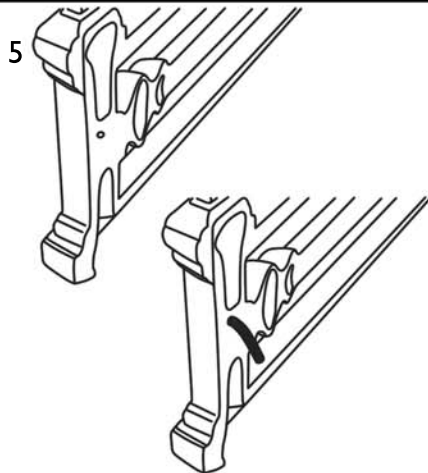
4



Attach Fireplace Back to the back of the Fireplace Fascia, ensuring that the M6 Studs pass through the fixing brackets on the Fireplace Back. Secure and tighten using 4 M6 Washers and 4 M6 Nuts.

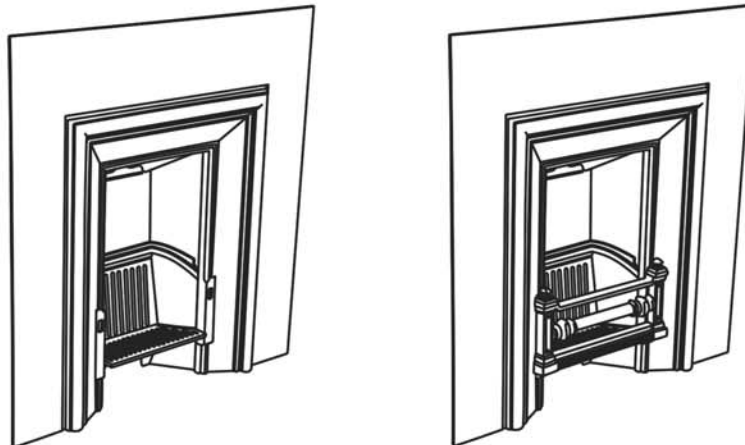


The Royal Narrow Insert



5 Attach 2x Fixing Studs into the Bars.

6

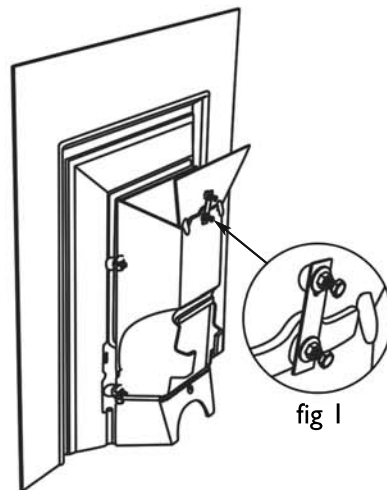
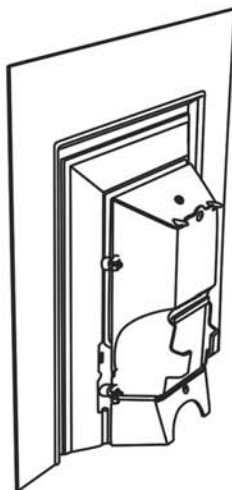
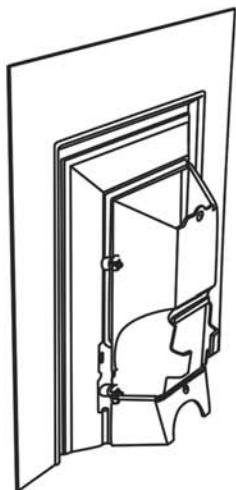


6 Slot the now attached Fixing Studs into the holes on the front of the Fireplace Fascia. No Grate Required for Gas Usage.

7

SOLID FUEL USAGE

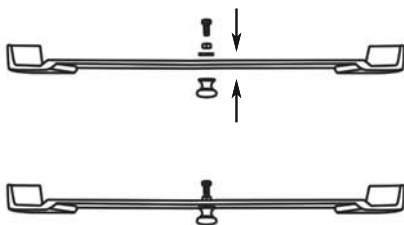
GAS USAGE



Solid Fuel Usage: Rest the Damper Plate onto the grove on the back of the Fireplace Fascia.

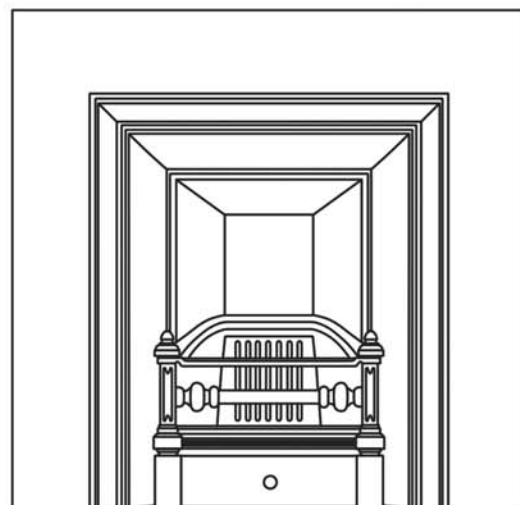
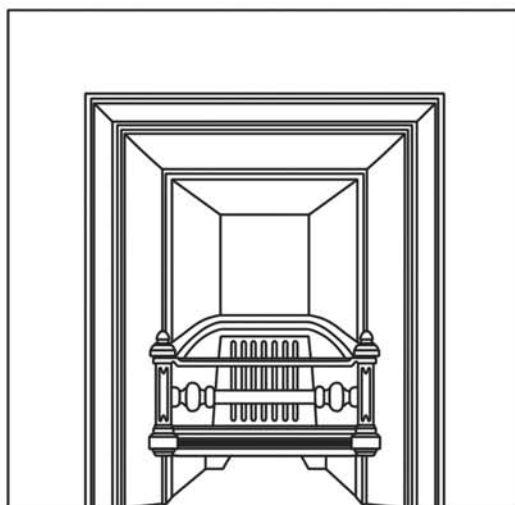
Gas Usage: The Damper Plate must remain fixed open for Gas Usage by using the Damper Plate fixing Kit. Screw M6 Nut fully onto M6 Bolt and lastly M6 washer x2. Attach Damper Fixing Plate as fig 1.

8



8 Attach the Ashpan Handle to the Ashpan using an M6 Washer, M6 Nut and M6 Bolt.

9



9 To complete, place Ashpan Cover below Grate and Bars on the front of the Fireplace.