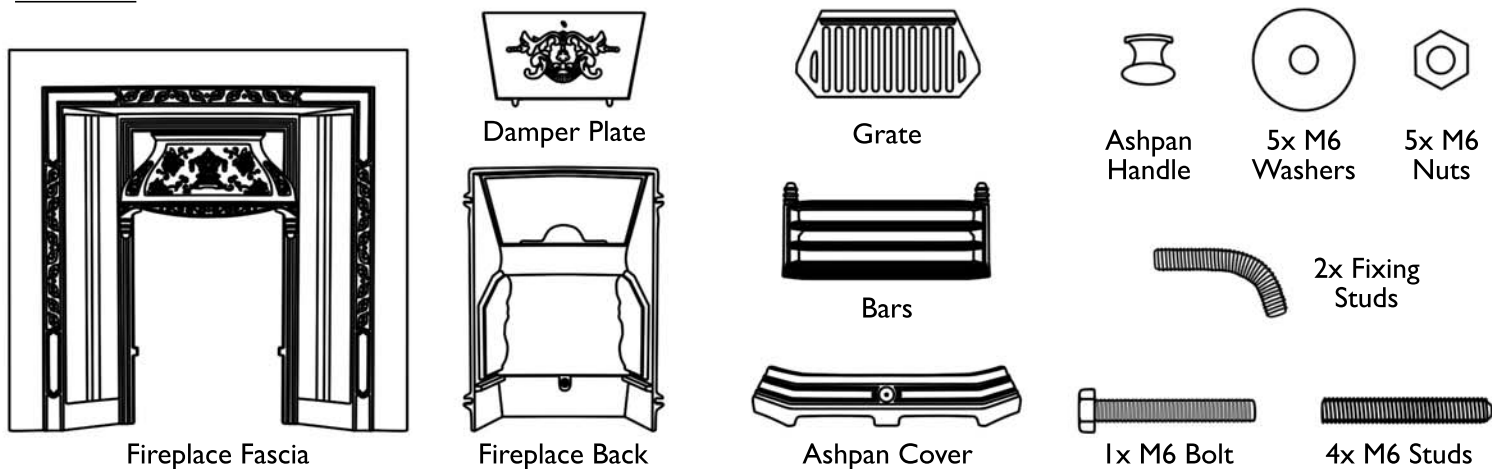




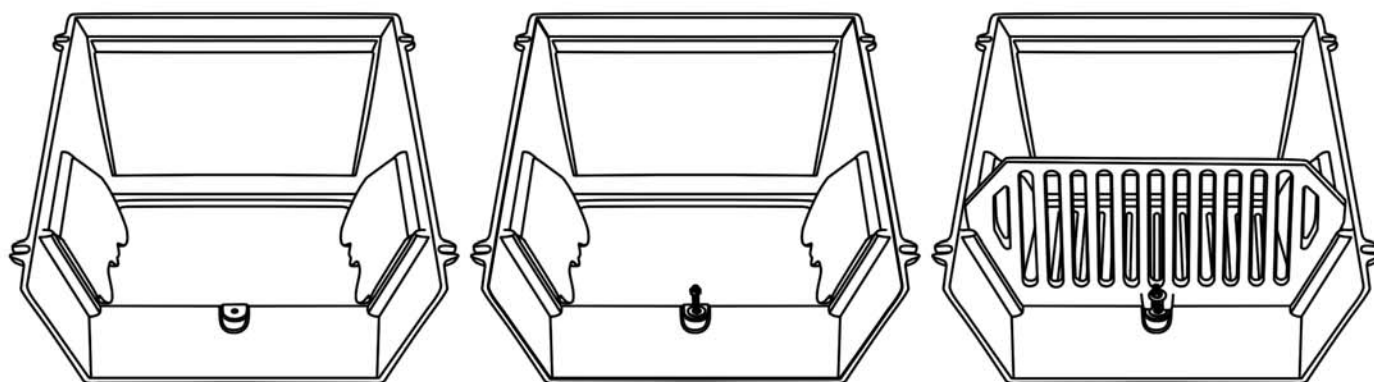
The Laurel Insert

Contents



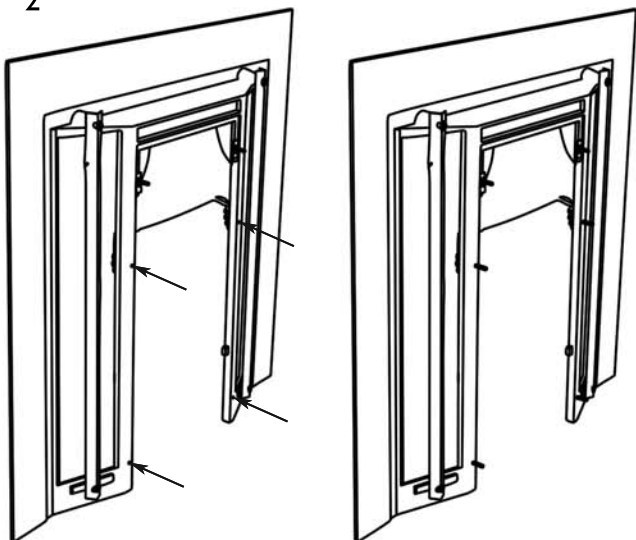
Please note, a 10mm spanner is required to assemble this fireplace.

1 SOLID FUEL USAGE ONLY



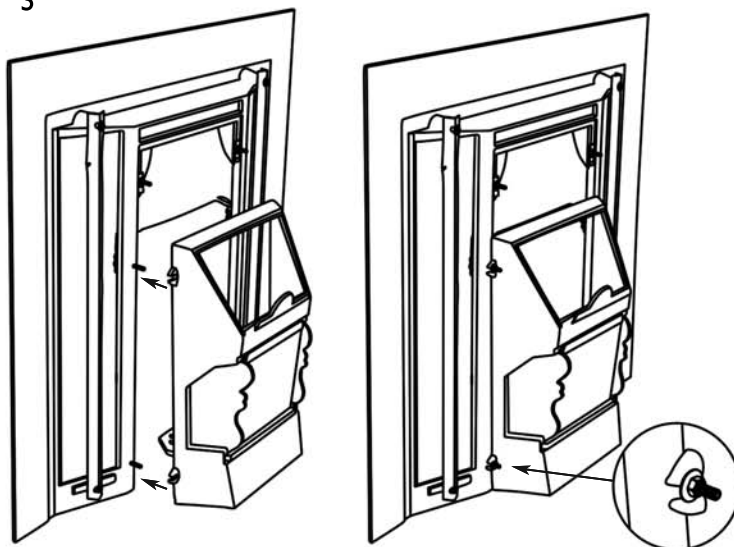
Insert Grate into the groves on the Fireplace Back. Secure and tighten with M6 Nut, M6 Bolt and M6 Washer. THIS STEP IS NOT REQUIRED FOR GAS USAGE. NO GRATE IS REQUIRED FOR GAS USAGE.

2



Insert the 4 M6 Studs into the back of the Fireplace Fascia.

3



Attach Fireplace Back to the back of the Fireplace Fascia, ensuring that the M6 Studs pass through the fixing brackets on the Fireplace Back. Secure and tighten using 4 M6 Washers and 4 M6 Nuts.



The Laurel Insert

4

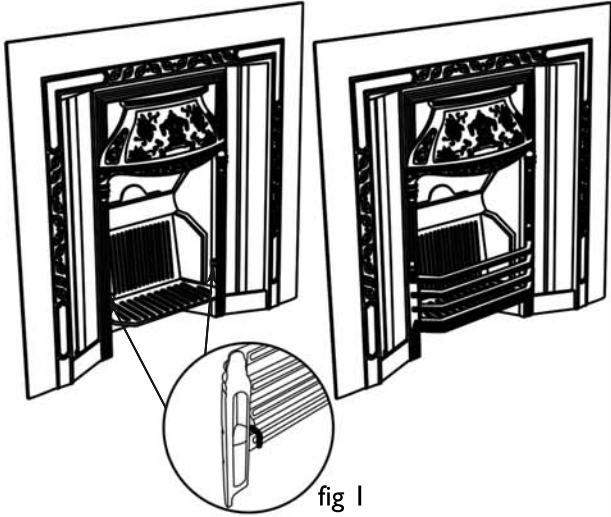


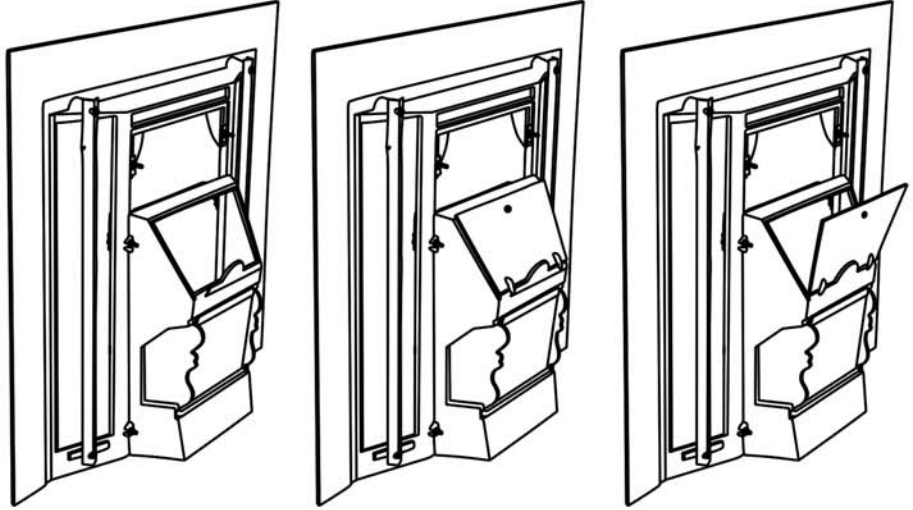
fig 1

Attach the 2x Fixing Studs into the Bars as shown in fig 1. Slot the now attached Fixing Studs into the holes on the front of the Fireplace Fascia.
No Grate Required for Gas Usage.

5

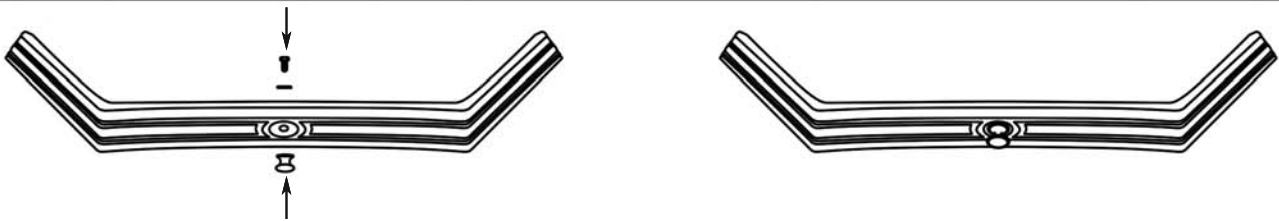
SOLID FUEL USAGE

GAS USAGE



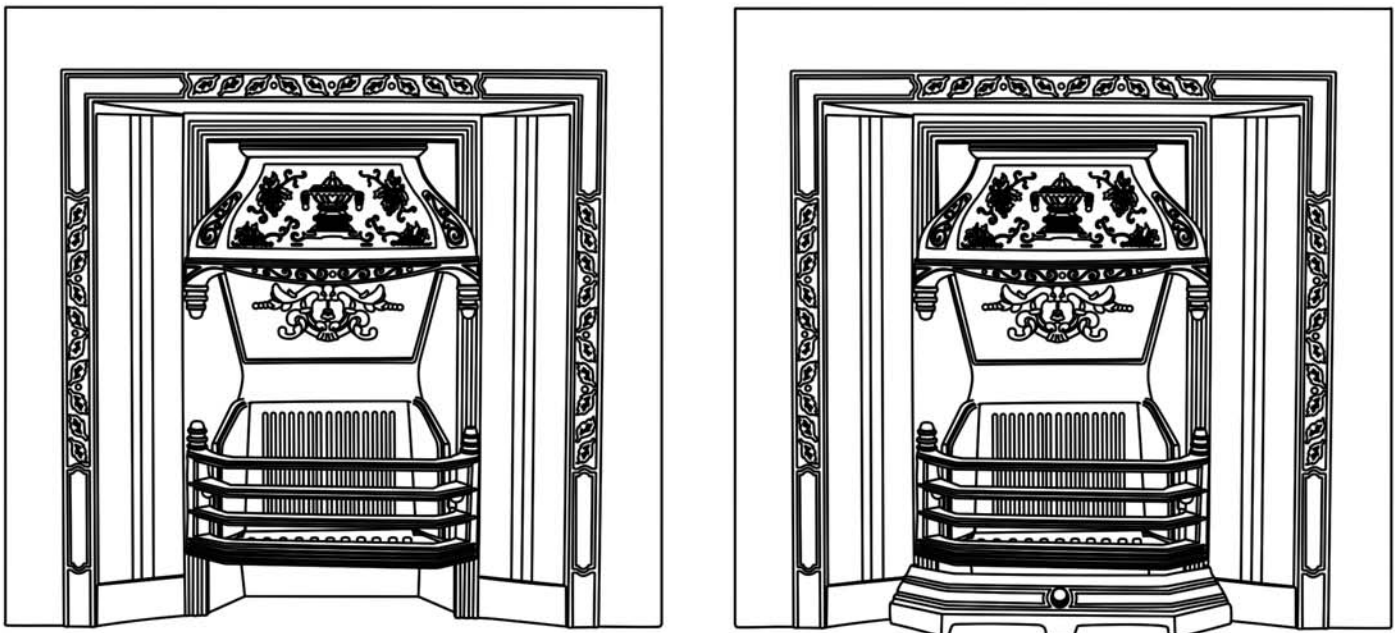
Solid Fuel Usage: Rest the Damper Plate onto the groove on the back of the Fireplace Fascia.
Gas Usage: Rest the Damper Plate onto the groove on the back of the Fireplace Fascia and LEAVE OPEN.

6



Attach the Ashpan Handle to the Ashpan using an M6 Washer and M6 Nut.

7



To complete, place Ashpan Cover below Grate and Bars on the front of the Fireplace.