



## The Knaresborough Combination

### Contents



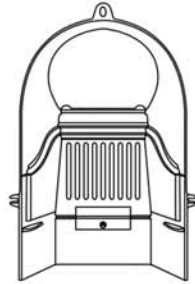
Fireplace Fascia



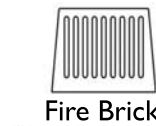
Shelf



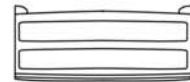
Damper Plate



Fireplace Back



Fire Brick



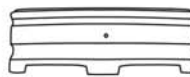
Firebrick Retaining Plate



Bars



Grate



Ashpan Cover



Firebrick Retaining Plate



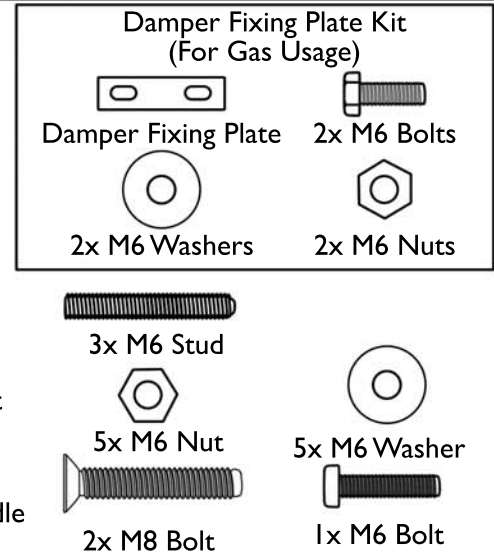
2x C Bracket



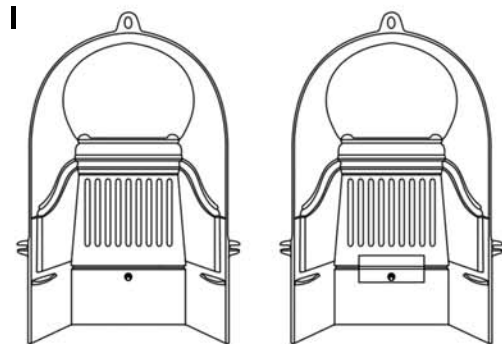
1x M6 Bolt



Ashpan Handle

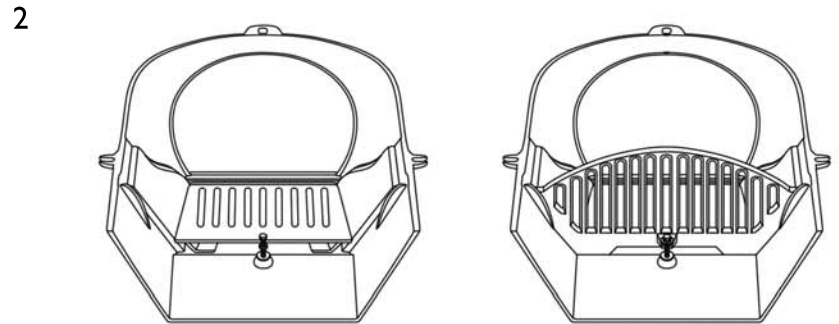


Please note, a flat head screwdriver and spanner are required to assemble this fireplace.



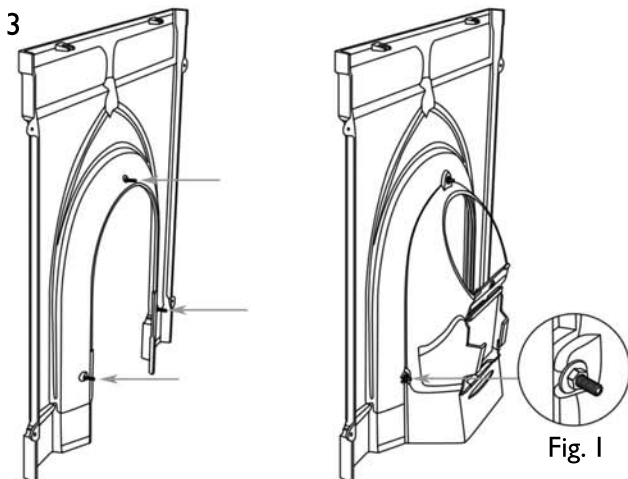
1 Remove the Firebrick Retaining Plate by removing the 1 x M6 Bolt, Washer and Nut.

THIS STEP IS NOT REQUIRED FOR SOLID FUEL USE

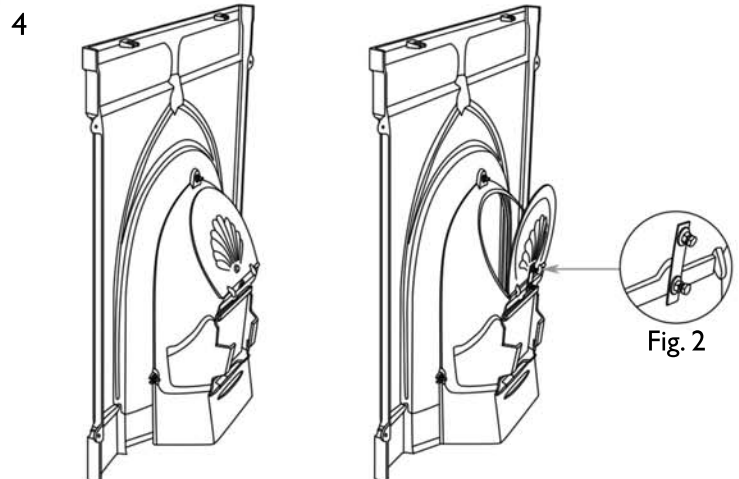


2 Lay Fireplace Back down on level ground. Position Firebrick in place and then insert 1 x M6 Bolt, passing through Washer and Nut, into the hole just below the Firebrick. Insert Grate into the groves on the Fireplace Back, passing the fixing lug over the M6 Bolt. Secure in place by tightening Bolt.

THIS STEP IS NOT REQUIRED FOR GAS USAGE.



3 Insert the 3 M6 Studs into the back of the Fireplace Fascia. Attach Fireplace Back to the back of the Fireplace Fascia, ensuring that the M6 Studs pass through the fixing brackets on the Fireplace Back. Secure and tighten using 3 M6 Washers and 3 M6 Nuts.

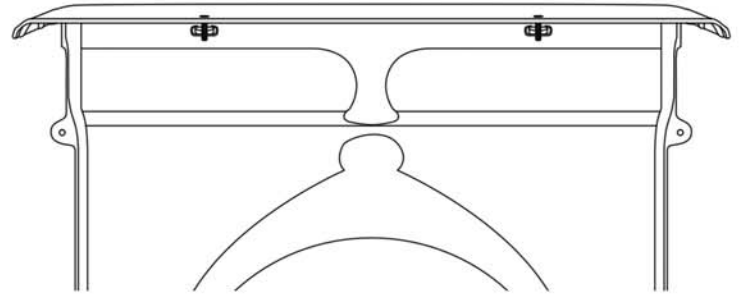
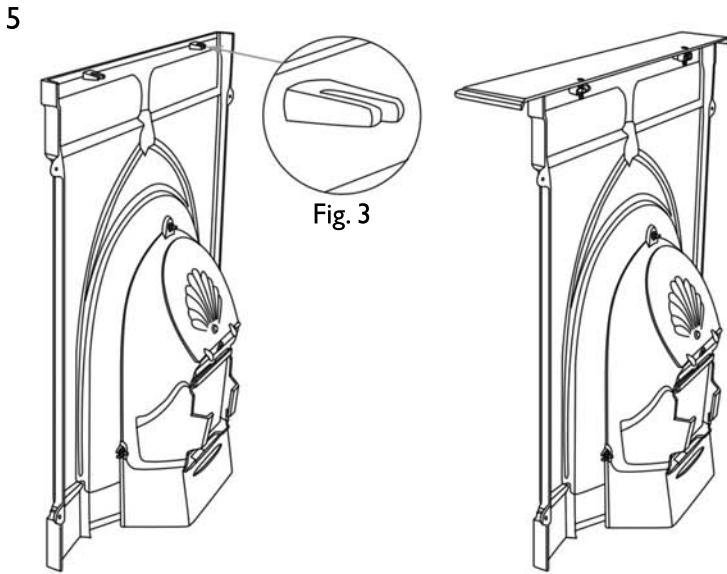


4 Solid Fuel Usage: Rest the Damper Plate onto the groove on the back of the Fireplace Fascia.

Gas Usage: The Damper Plate must remain fixed open for Gas Usage by using the Damper Plate fixing Kit. Screw M6 Nut fully onto M6 Bolt and lastly M6 washer x2. Attach Damper Fixing Plate as fig 2

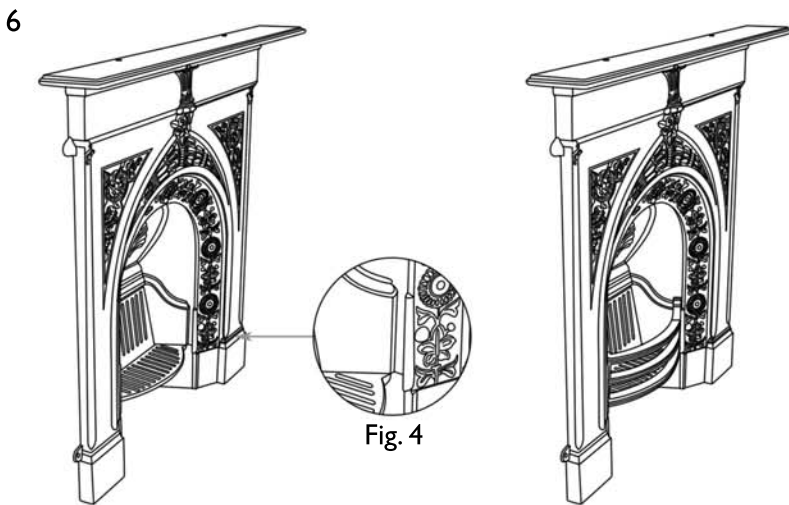


## The Knaresbrough Combination

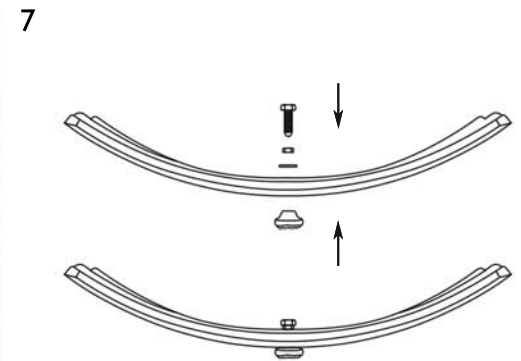


Rear View with Shelf attached

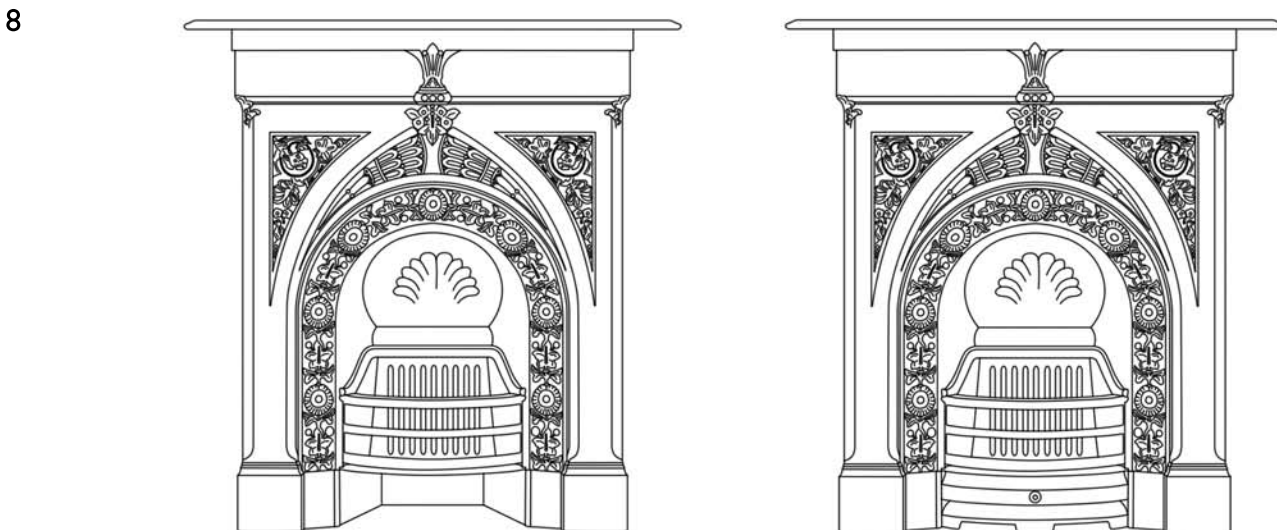
Place the 2 C Brackets onto the fixing lugs on the Fireplace Fascia. Rest the Shelf on the Fireplace Fascia and insert 2 M8 Bolts through the holes on the shelf ensuring they pass through fixing lugs (Fig. 3) and C Brackets on the back of the Fireplace Fascia. A flat head screw driver should be used to tighten.



Slot the Bars through the grooves on the front of the Fireplace Fascia, as fig. 4.



Attach the Ashpan Handle to the Ashpan using 1x M6 Bolt, 1x M6 Washer and 1x M6 Nut.



To complete, place Ashpan Cover below Grate and Bars on the front of the Fireplace.