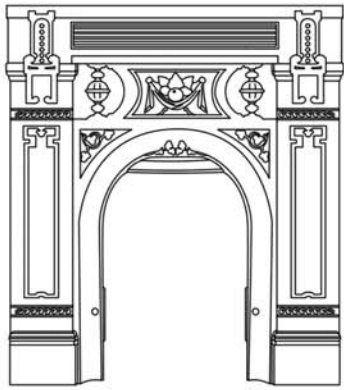


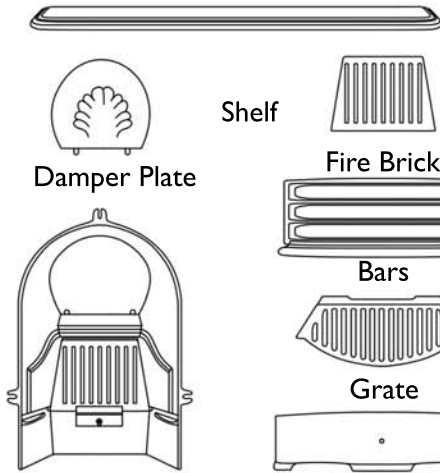


The Victorian Large

Contents

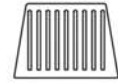


Fireplace Fascia



Damper Plate

Shelf



Fire Brick



Bars



Grate



Ashpan Cover



1x M6 Bolt

Damper Fixing Plate Kit (For Gas Usage)



Damper Fixing Plate



2x M6 Bolts



2x M6 Washers



2x M6 Nuts



7x M6 Nut



7x M6 Washer

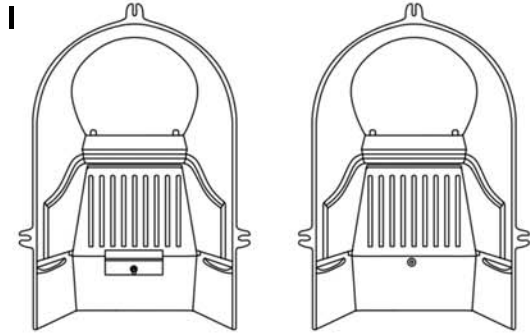


5x M6 Stud



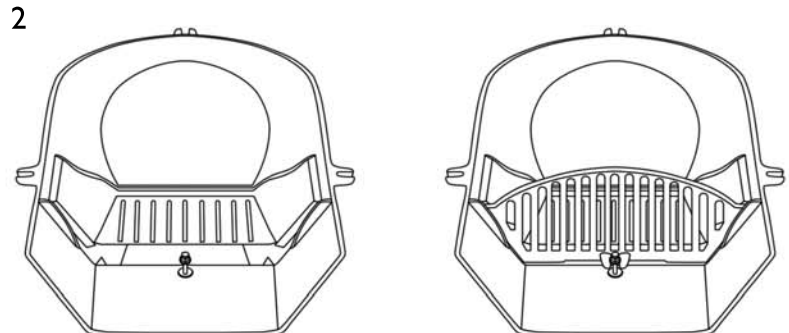
1x M6 Bolt

Please note, a flat head screwdriver and spanner are required to assemble this fireplace.



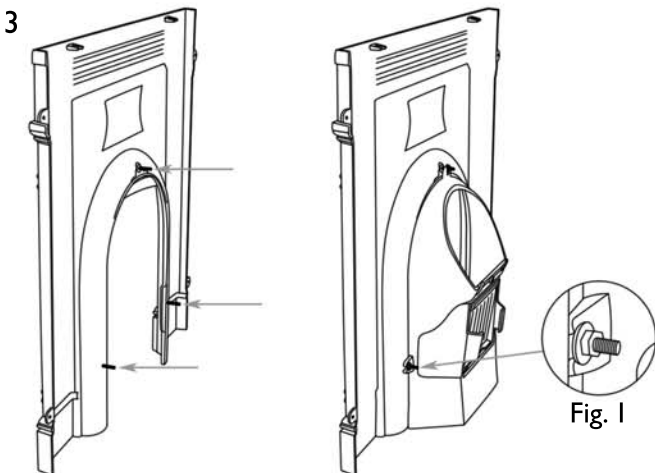
Remove the Firebrick Retaining Plate by removing the 1 x M6 Bolt, Washer and Nut.

THIS STEP IS NOT REQUIRED FOR SOLID FUEL USE

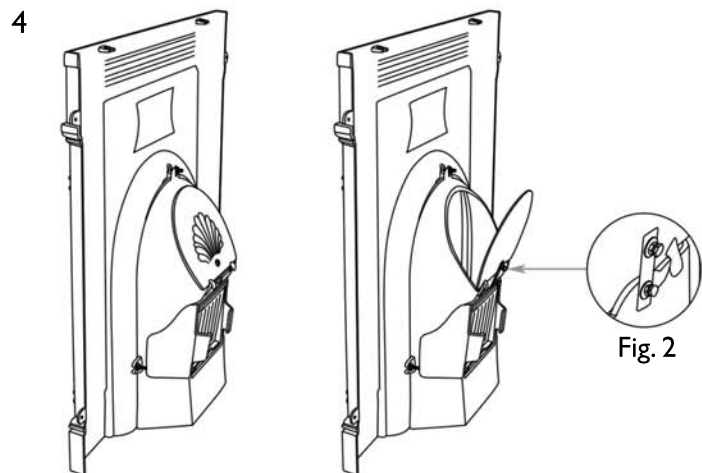


Lay Fireplace Back down on level ground. Position Firebrick in place and then insert 1 x M6 Bolt, passing through Washer and Nut, into the hole just below the Firebrick. Insert Grate into the groves on the Fireplace Back, passing the fixing lug over the M6 Bolt. Secure in place by tightening Bolt.

THIS STEP IS NOT REQUIRED FOR GAS USAGE.



Insert the 3 M6 Studs into the back of the Fireplace Fascia. Attach Fireplace Back to the back of the Fireplace Fascia, ensuring that the M6 Studs pass through the fixing brackets on the Fireplace Back. Secure and tighten using 3 M6 Washers and 3 M6 Nuts, as Fig.1.

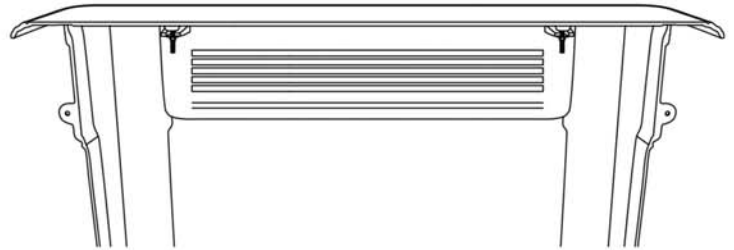
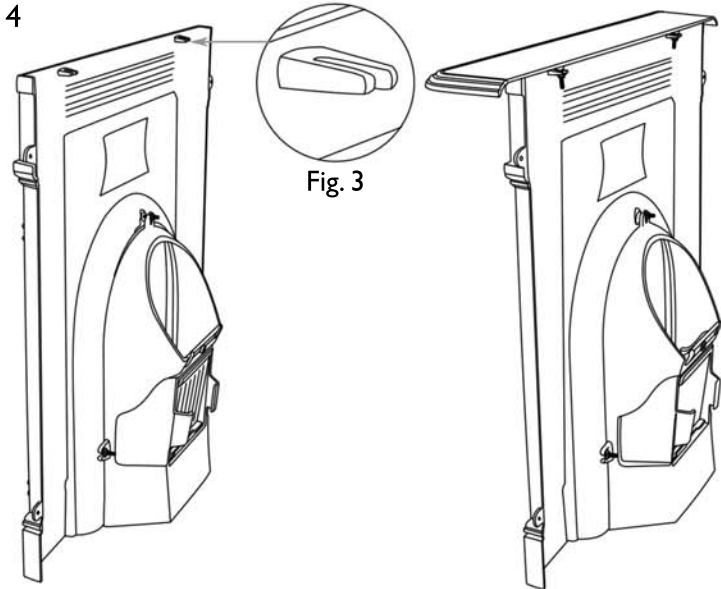


Solid Fuel Usage: Rest the Damper Plate onto the groove on the back of the Fireplace Fascia.

Gas Usage: The Damper Plate must remain fixed open for Gas Usage by using the Damper Plate fixing Kit. Screw M6 Nut fully onto M6 Bolt and lastly M6 washer x2. Attach Damper Fixing Plate as fig 2.



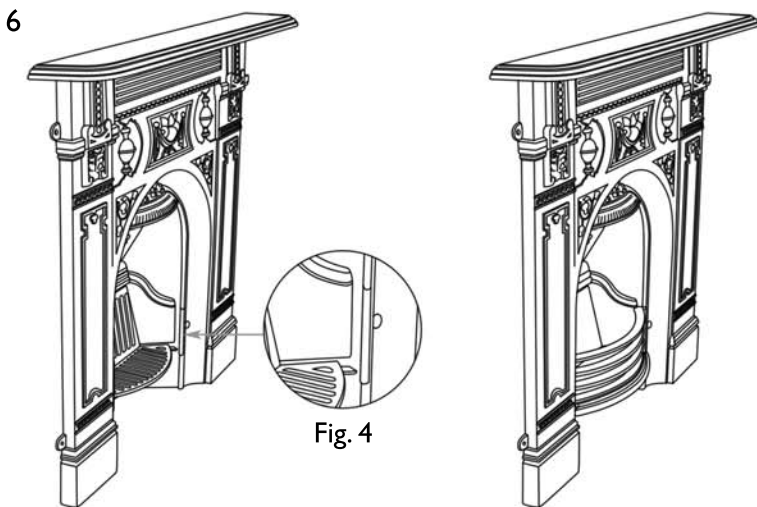
The Victorian Large



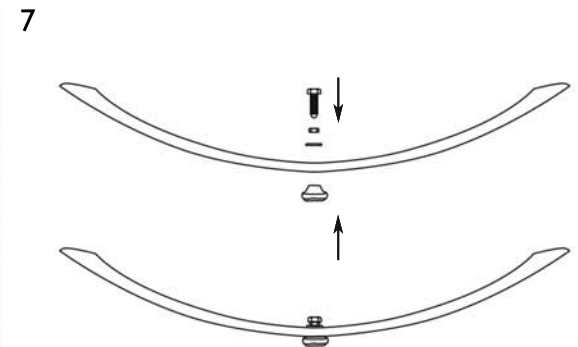
Rear View with Shelf attached

Lay Shelf upside down on floor. Loosely insert 2x M6 Studs, firstly passing through 2x M6 Washers. Place 2x M6 Nuts onto the ends of the 2x M6 Studs.

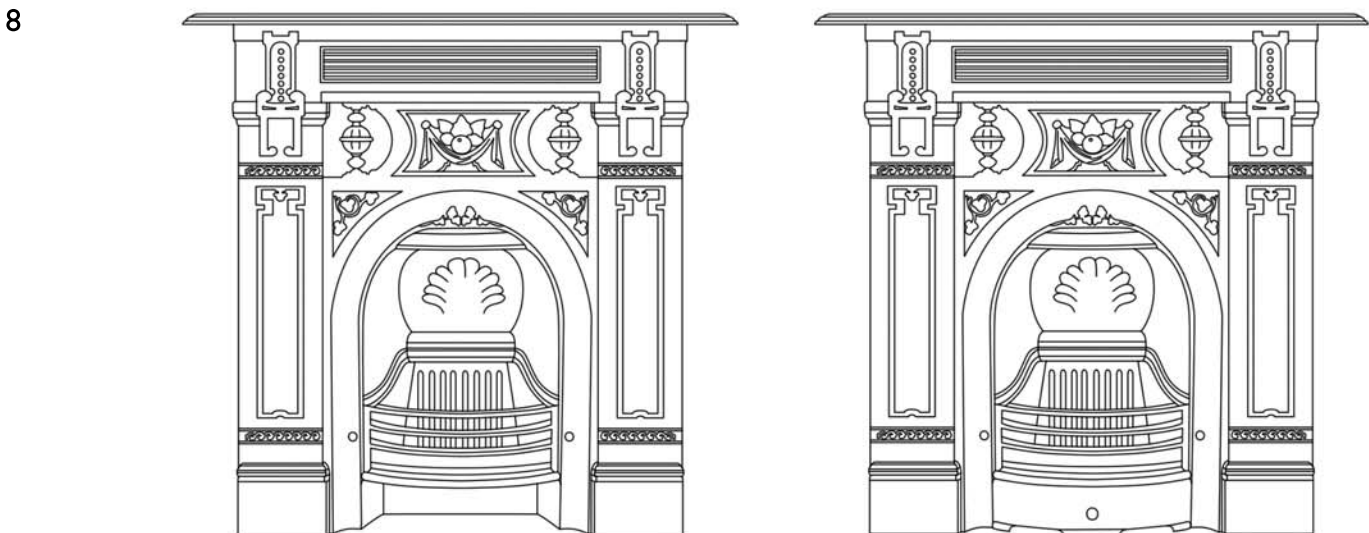
Attach shelf to Fireplace Fascia passing the 2x M6 Studs through the fixing lugs (Fig. 3). The washers should be below the fixing lugs. Tighten and secure with 2x M6 Nuts.



Slot the Bars through the grooves on the front of the Fireplace Fascia, as fig. 4.



Attach the Ashpan Handle to the Ashpan using 1x M6 Bolt, 1x M6 Washer and 1x M6 Nut.



To complete, place Ashpan Cover below Grate and Bars on the front of the Fireplace.