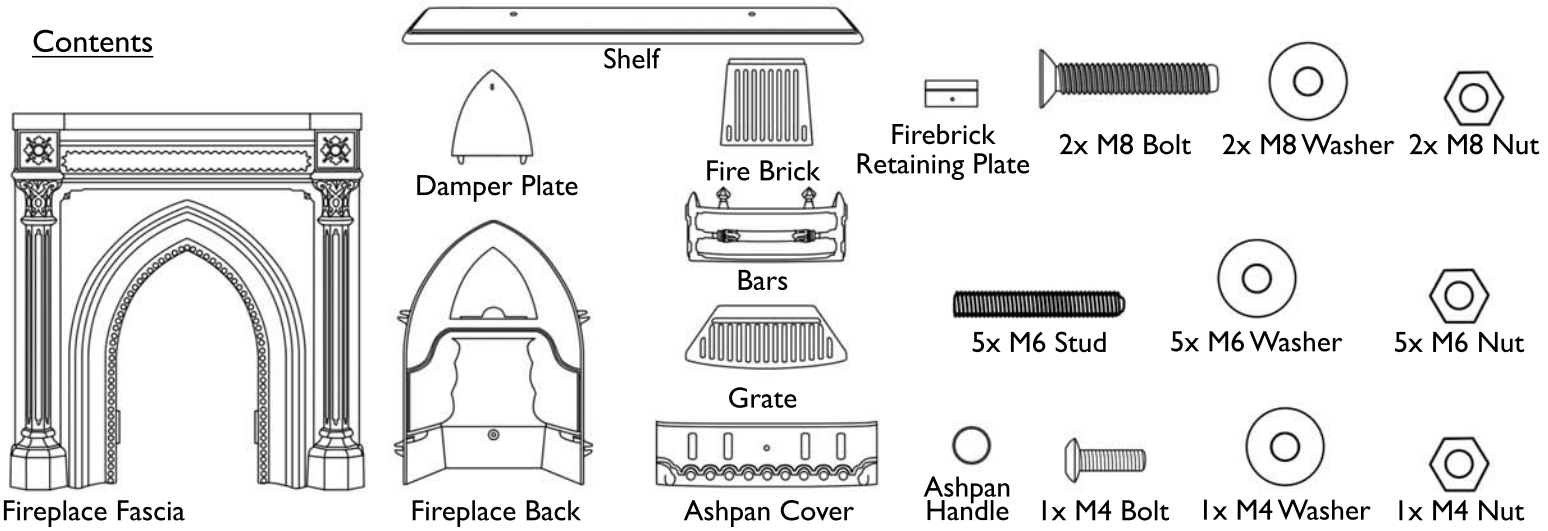




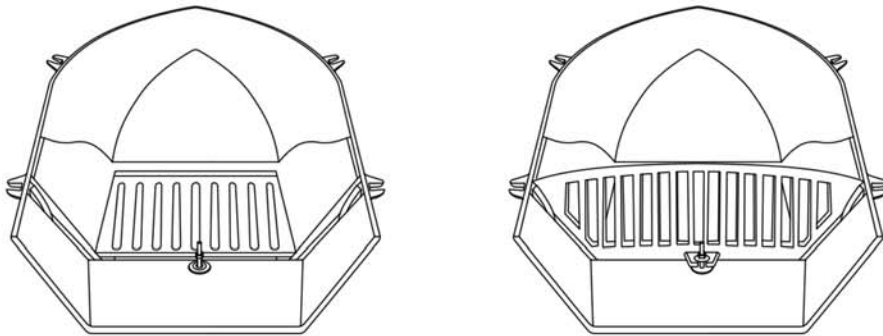
## The Gothic Combination

### Contents



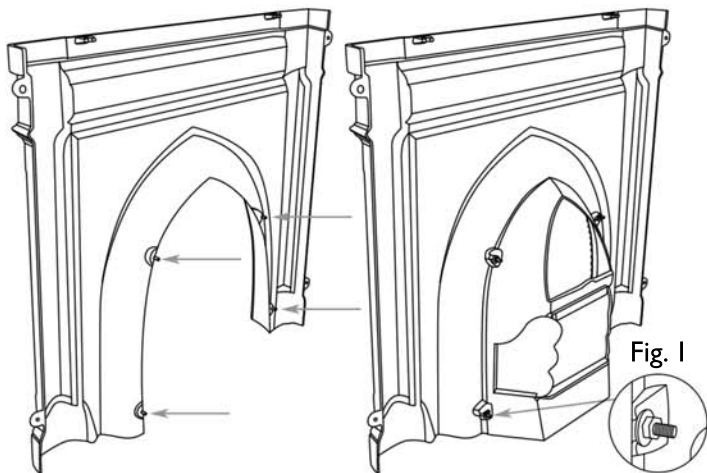
Please note, a flat head screwdriver and spanner are required to assemble this fireplace.

1



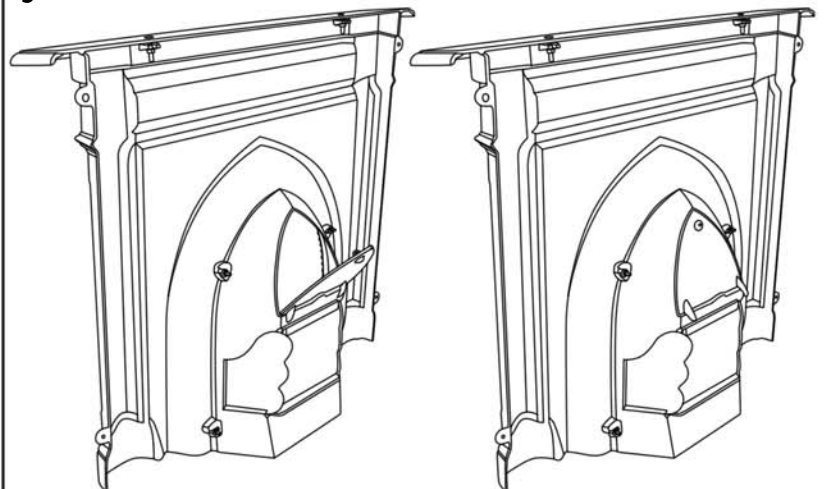
Lay Fireplace Fascia on back and insert the Firebrick and 1x M6 Stud. Insert Grate into the groves on the Fireplace Back, passing the fixing lug over the M6 Stud. Secure in place with 1 x M6 Washer and 1 x M6 Bolt.

2



Insert the 4 M6 Studs into the back of the Fireplace Fascia. Attach Fireplace Back to the back of the Fireplace Fascia, ensuring that the M6 Studs pass through the fixing brackets on the Fireplace Back. Secure and tighten using 4 M6 Washers and 4 M6 Nuts.

3



Rest the Damper Plate onto the groove on the back of the Fireplace Fascia.



## The Gothic Combination

4

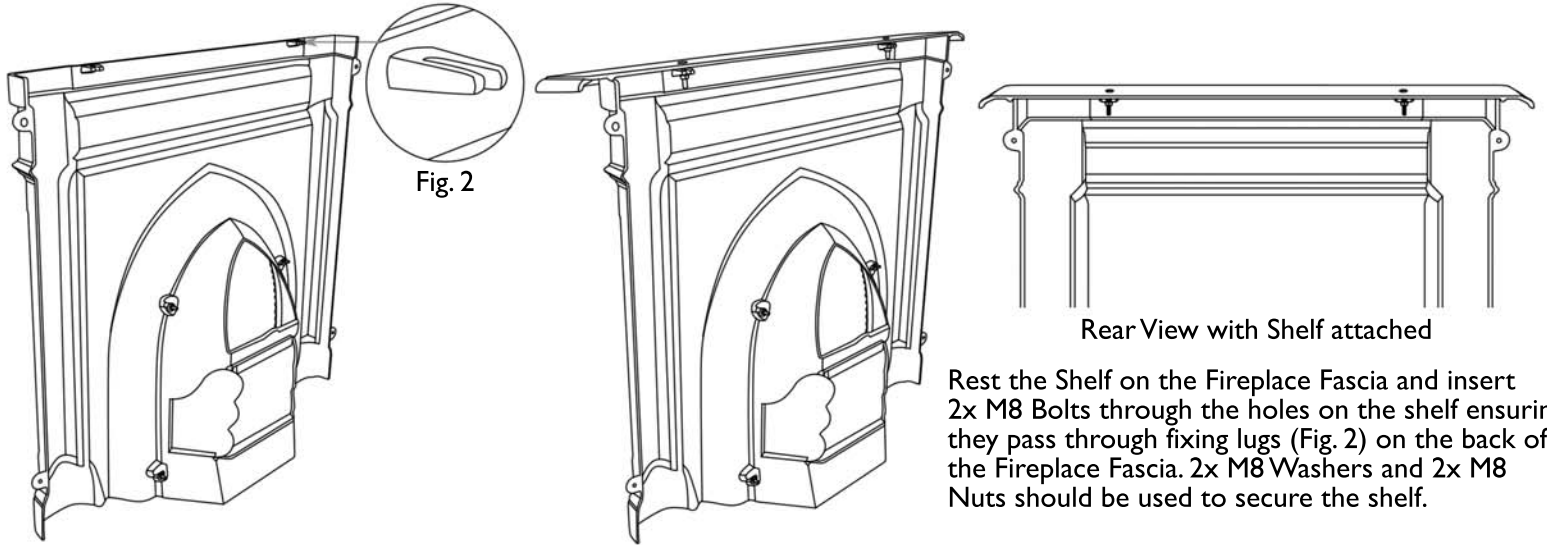
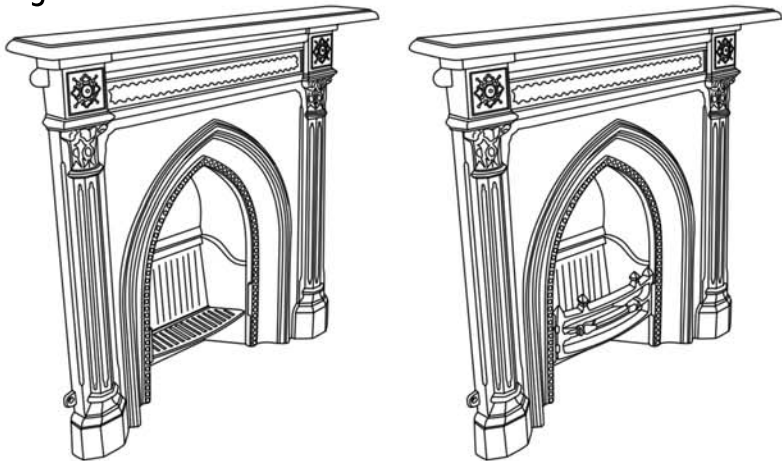


Fig. 2

Rear View with Shelf attached

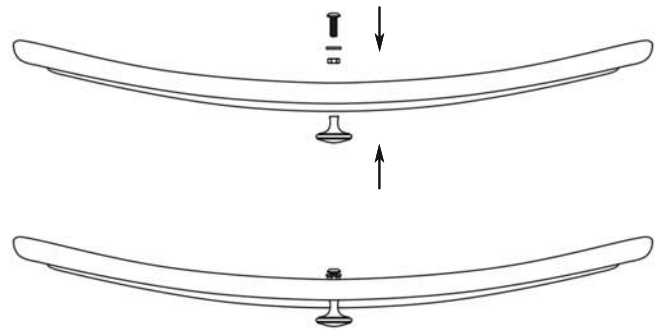
Rest the Shelf on the Fireplace Fascia and insert 2x M8 Bolts through the holes on the shelf ensuring they pass through fixing lugs (Fig. 2) on the back of the Fireplace Fascia. 2x M8 Washers and 2x M8 Nuts should be used to secure the shelf.

5



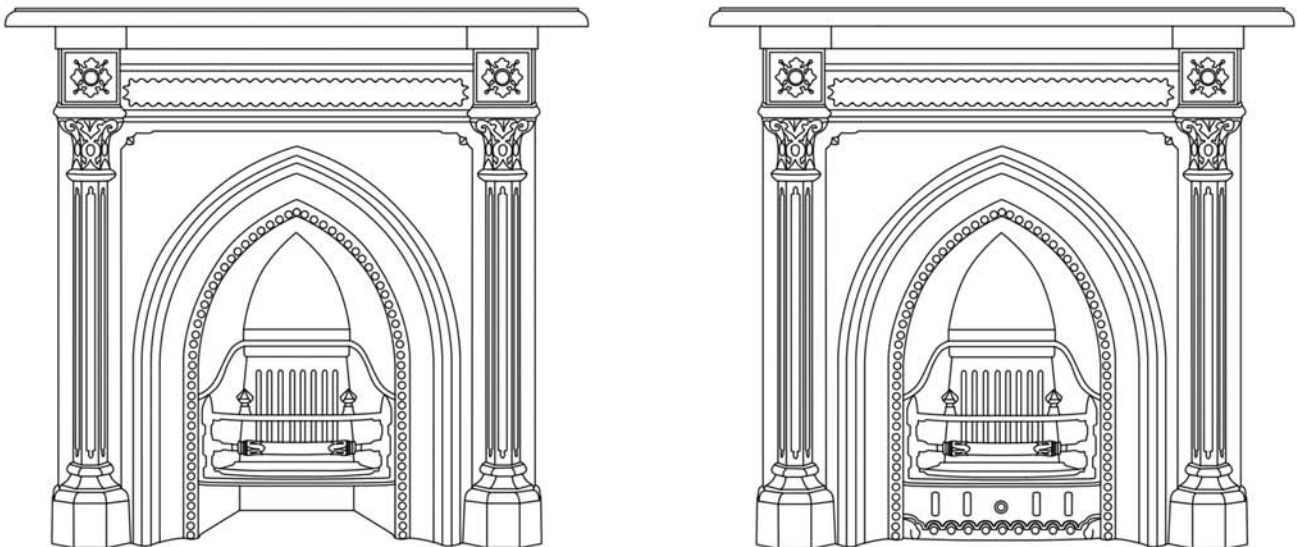
Slide the Bars onto the grooves on the Fireplace Fascia

7



Attach the Ashpan Handle to the Ashpan using 1x M4 Bolt, 1x M4 Washer and 1x M4 Nut.

6



To complete, place Ashpan Cover below Grate and Bars on the front of the Fireplace.