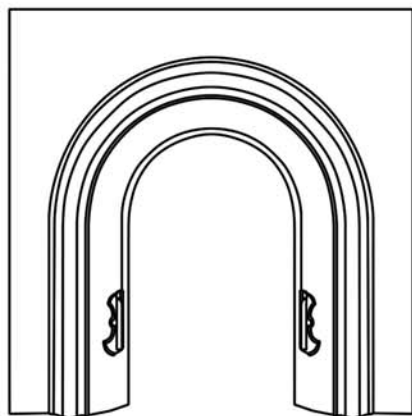


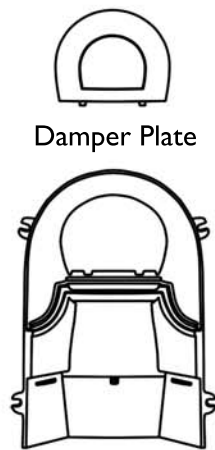


# The Coleby Insert

## Contents

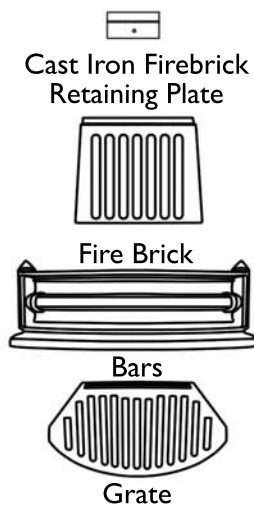


Fireplace Fascia



Damper Plate

Fireplace Back

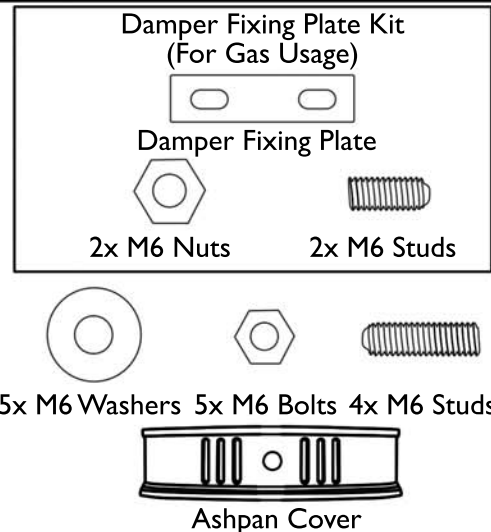


Cast Iron Firebrick Retaining Plate

Fire Brick

Bars

Grate



Damper Fixing Plate Kit (For Gas Usage)

Damper Fixing Plate

2x M6 Nuts

2x M6 Studs

5x M6 Washers

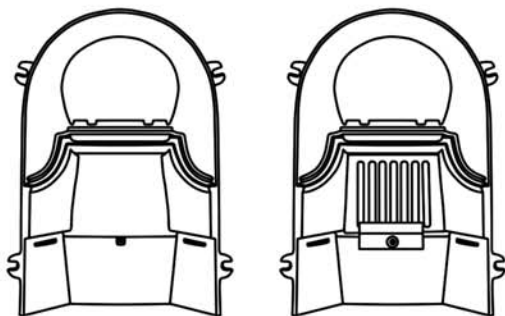
5x M6 Bolts

4x M6 Studs

Ashpan Cover

Please note, a 10mm spanner is required to assemble this fireplace.

### 1 GAS USAGE ONLY



Position Firebrick in place and hold in using the Cast Iron Firebrick Retaining Plate, securing with 1 x M6 Stud, Washer and Bolt.

THIS STEP IS NOT REQUIRED FOR SOLID FUEL USE

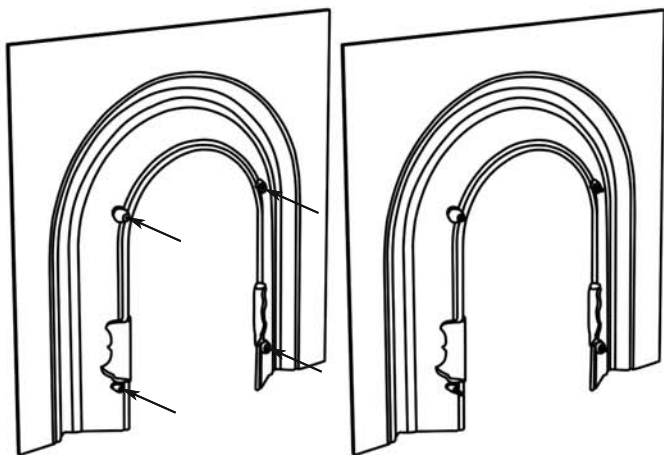
### 2 SOLID FUEL USAGE ONLY



Lay Fireplace Back down on level ground. Position Firebrick in place and then insert 1 x M6 Stud into the hole just below the Firebrick. Insert Grate into the groves on the Fireplace Back, passing the fixing lug over the M6 Stud. Secure in place with 1 x M6 Washer and 1 x M6 Bolt.

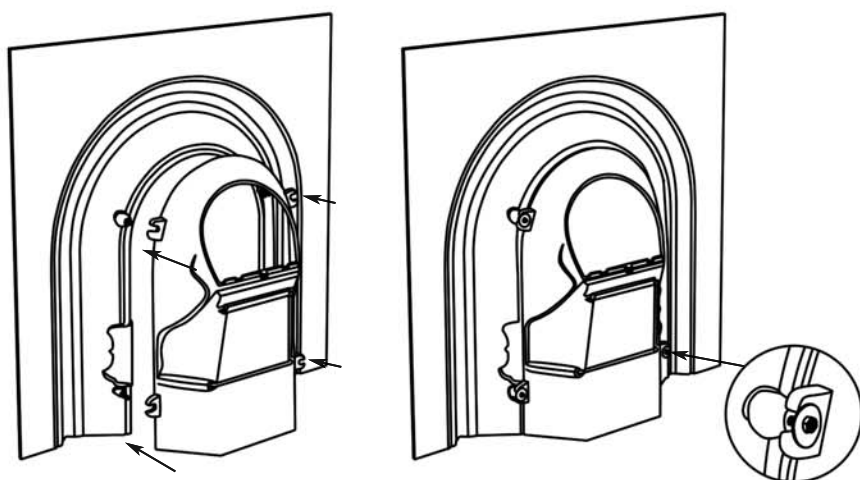
THIS STEP IS NOT REQUIRED FOR GAS USAGE.

### 3



Insert the 4 x M6 Studs into the back of the Fireplace Fascia.

### 4

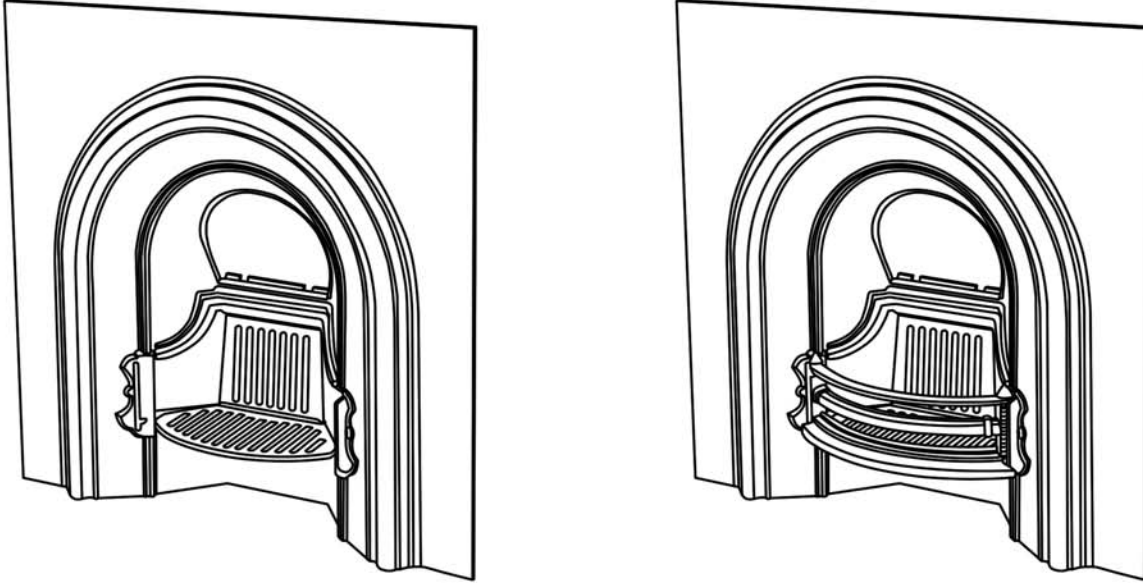


Attach Fireplace Back to the back of the Fireplace Fascia, ensuring that the M6 Studs pass through the fixing brackets on the Fireplace Back. Secure and tighten using 4 x M6 Washers and 4 x M6 Nuts.



## The Coleby Insert

5

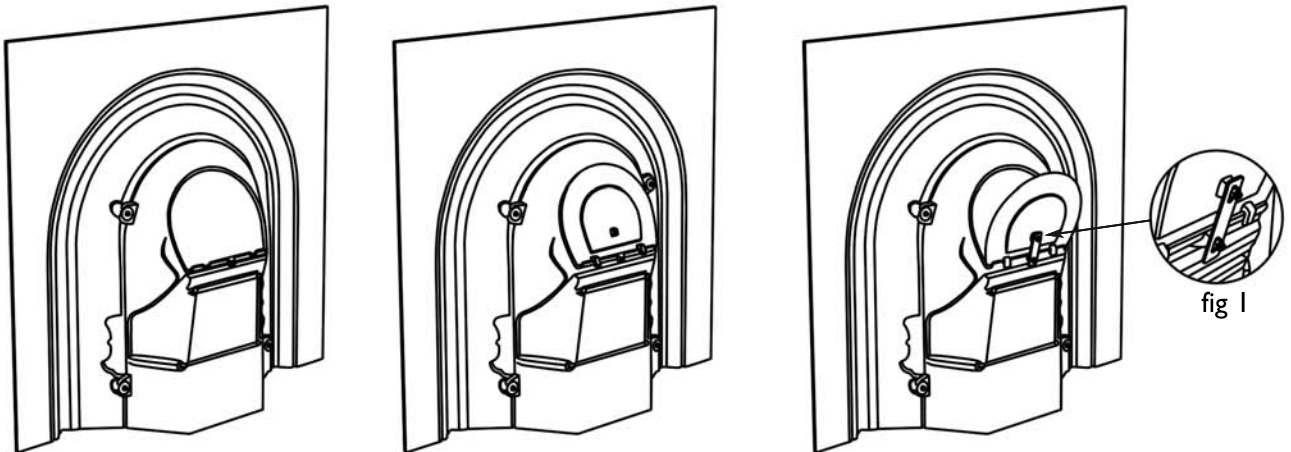


Slot the Bars into the groves on the front of the Fireplace Fascia. No Grate Required for Gas Usage.

6

SOLID FUEL USAGE

GAS USAGE

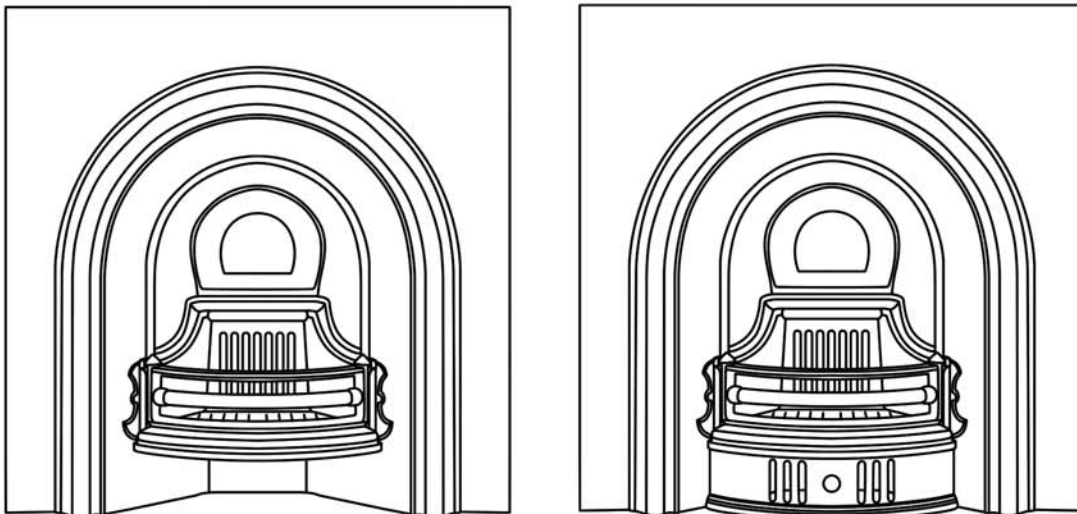


Solid Fuel Usage: Rest the Damper Plate onto the groove on the back of the Fireplace Back.

Gas Usage: The Damper Plate must remain fixed open for Gas Usage by using the Damper Plate fixing Kit.

Insert M6 Studs into the holes on the back of the Damper Plate and Fireplace Back, pass Damper Fixing Plate over these and secure with M6 Bolts (see fig 1).

7



To complete, place Ashpan Cover below Grate and Bars on the front of the Fireplace.