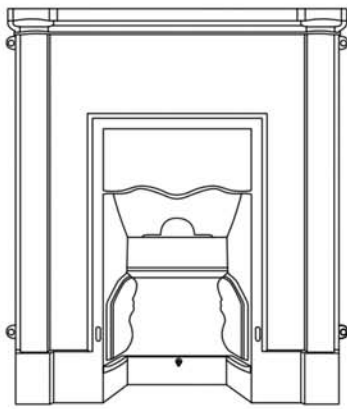


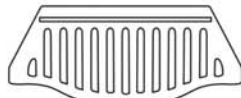


The Abingdon Combination

Contents



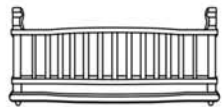
Fireplace Fascia



Grate



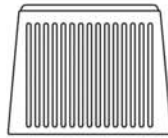
Damper Plate



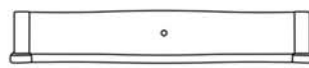
Bars



Shelf



Fire Brick



Ashpan Cover



2x M8 Bolt



2x M8 Nut



2x M8 Washer



Ashpan Handle



1x M4 Bolt



1x M4 Nut



1x M4 Washer



2x Fixing Studs

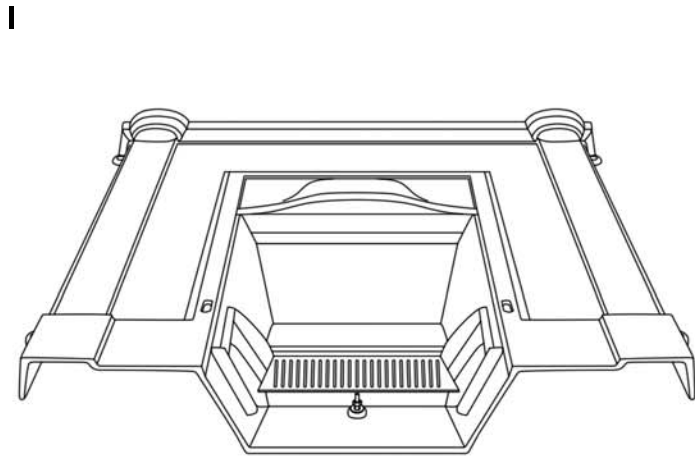


1x M6 Nut

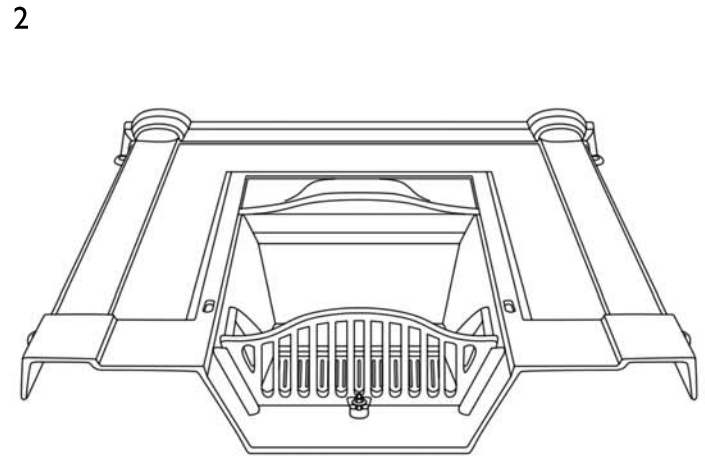


1x M6 Washer

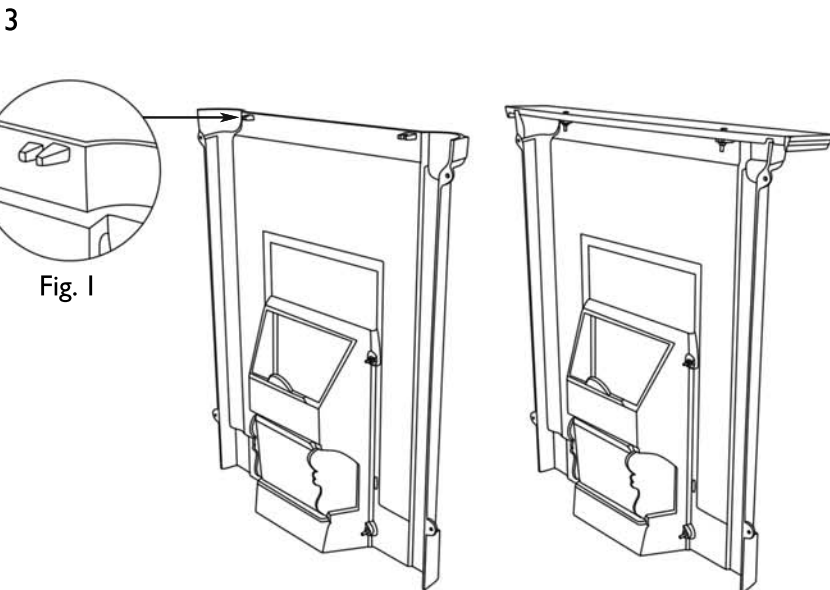
Please note, a flat head screwdriver and spanner are required to assemble this fireplace.



Lay Fireplace Fascia on back and insert the Firebrick and 1x M6 Grub.

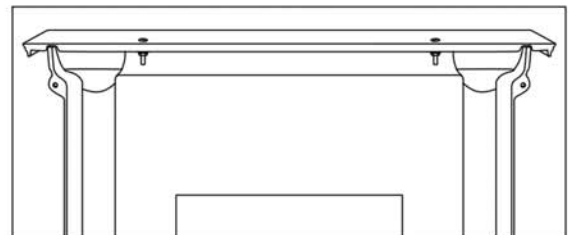


Insert Grate into the groves on the Fireplace Back, passing the fixing lug over the M6 Stud. Secure in place with 1 x M6 Washer and 1 x M6 Bolt.



Rest the Shelf on the Fireplace Fascia and insert 2x M8 Bolts through the holes on the shelf ensuring they pass through fixing lugs (Fig. 1) on the back of the Fireplace Fascia. 2x M8 Washers and 2x M8 Nuts should be used to secure the shelf, tighten with a flat head screwdriver.

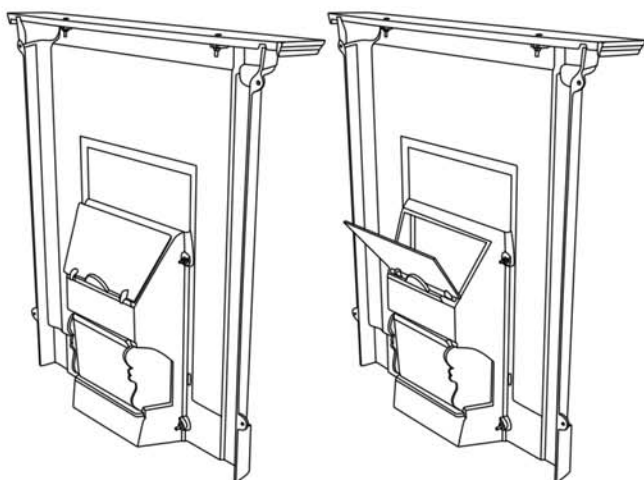
Rear View with Shelf attached





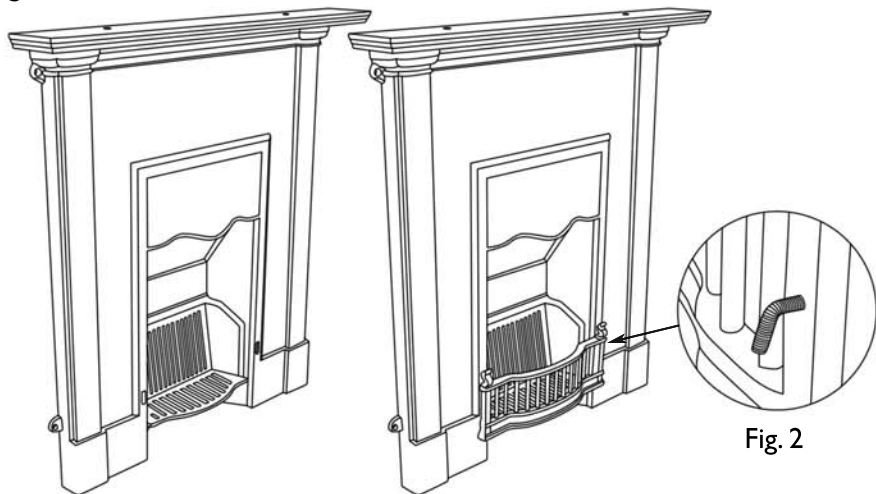
The Abingdon Combination

4



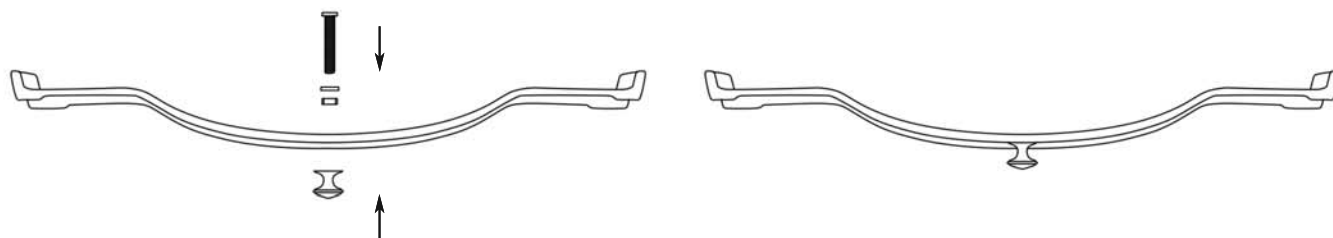
Rest the Damper Plate onto the groove on the back of the Fireplace Fascia.

5



Attach the 2x Fixing Studs to the back of the Bars as Fig. 2. Attach Bars to the Fireplace Fascia, passing 2x Fixing Studs through the groves.

6



Attach the Ashpan Handle to the Ashpan using 1x M4 Bolt, 1x M4 Washer and 1x M4 Nut.

7



To complete, place Ashpan Cover below Grate and Bars on the front of the Fireplace.